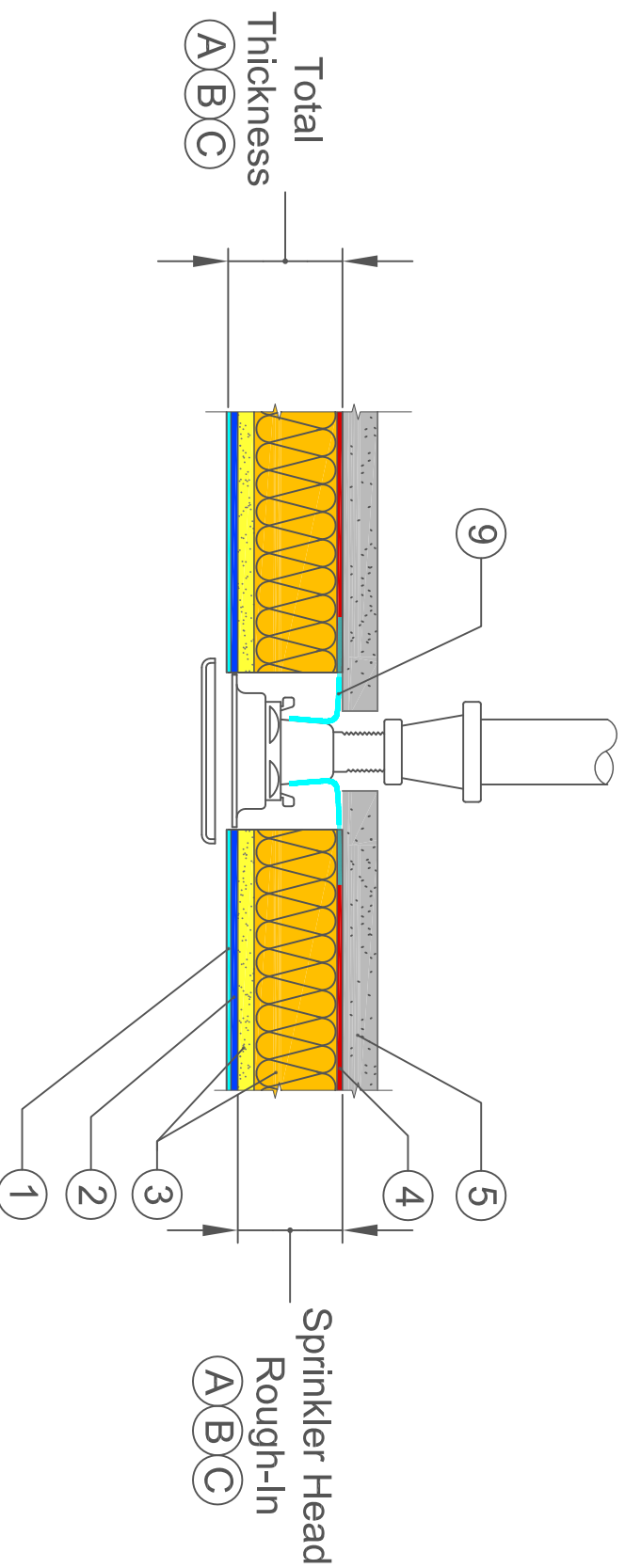


# BASWAphon - Resilient

## FIRE SPRINKLER HEAD DETAIL



- 1 BASWAphon Base 407
- 2 BASWAphon Base 407
- 3 BASWAphon Pre-Coated Mineral Wool Panel
- 4 BASWAphon Adhesive
- 5 Stable Substrate
- 9 Fire Tape

DIMENSIONS			
SYSTEM	(A)	(B)	(C)
TOTAL THICKNESS	1 3/16" (30MM)	1 9/16" (40MM)	2 3/4" (70MM)
RECESSED SPRINKLER HEAD ROUGH IN BELOW FACE OF SUBSTRATE	1 "	1 3/8"	2 9/16"