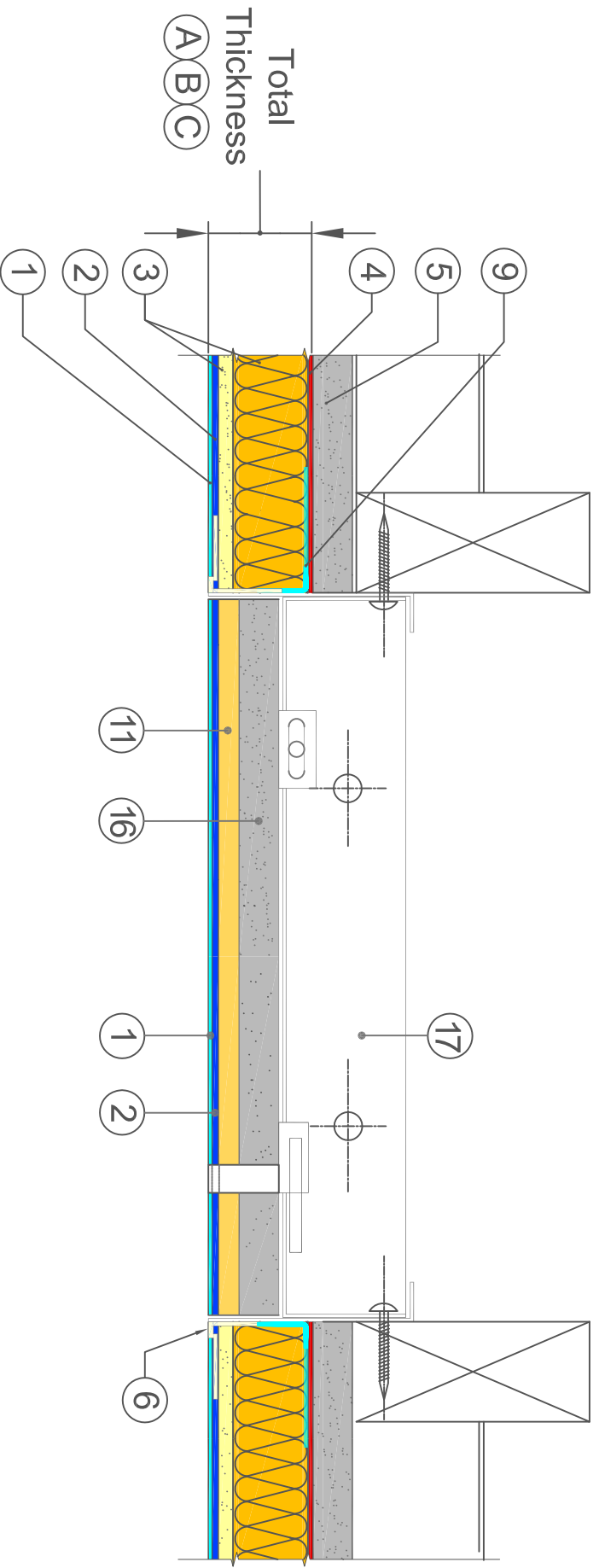


BASW/Aphphon - Frosted

ACCESS PANEL DETAIL



- 1 BASW/Aphphon Frost 407
- 2 BASW/Aphphon Base 407
- 3 BASW/Aphphon Pre-Coated Mineral Wool Panel
- 4 BASW/Aphphon Adhesive
- 5 Stable Substrate
- 6 White Vinyl Trim
- 9 Fire Tape
- 11 BASW/Aphphon Fill
- 16 5/8" Drywall
- 17 Access Door

DIMENSIONS			
SYSTEM	(A)	(B)	(C)
TOTAL THICKNESS	1 3/16" (30MM)	1 9/16" (40MM)	2 3/4" (70MM)
ACCESS PANEL ROUGH IN BELOW FACE OF SUBSTRATE	1 3/16"	1 9/16"	2 3/4"