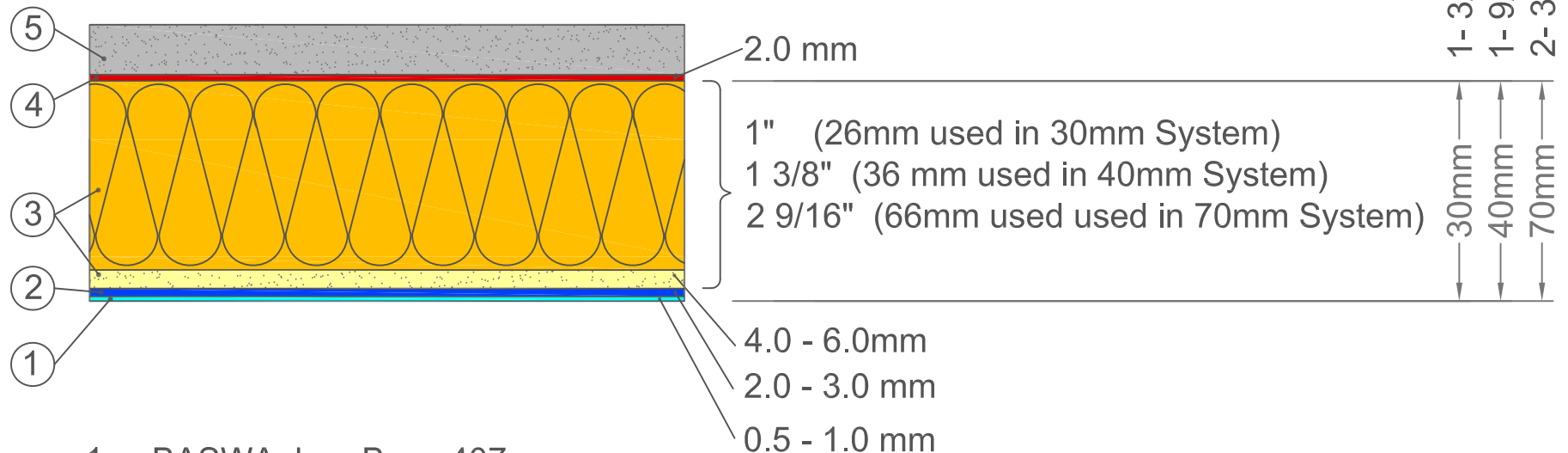


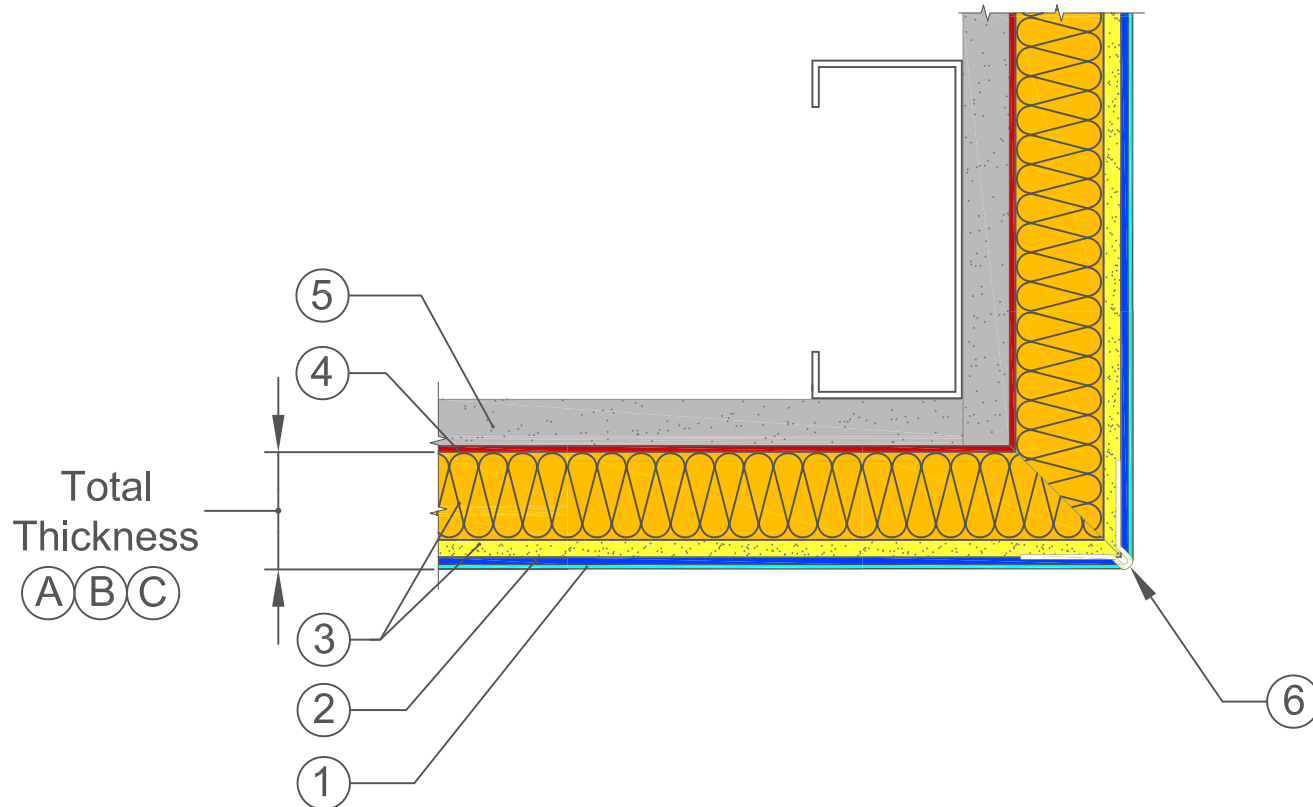
BASWAphon Resilient System



1. BASWAphon Base 407
Troweled Finish
2. BASWAphon Base 407
Troweled Finish
3. BASWAphon Pre-Coated Mineral Wool Panel
4. BASWAphon Adhesive
5. Stable Substrate

BASWAphon - Resilient

OUTSIDE CORNER DETAIL BASWAphon to BASWAphon

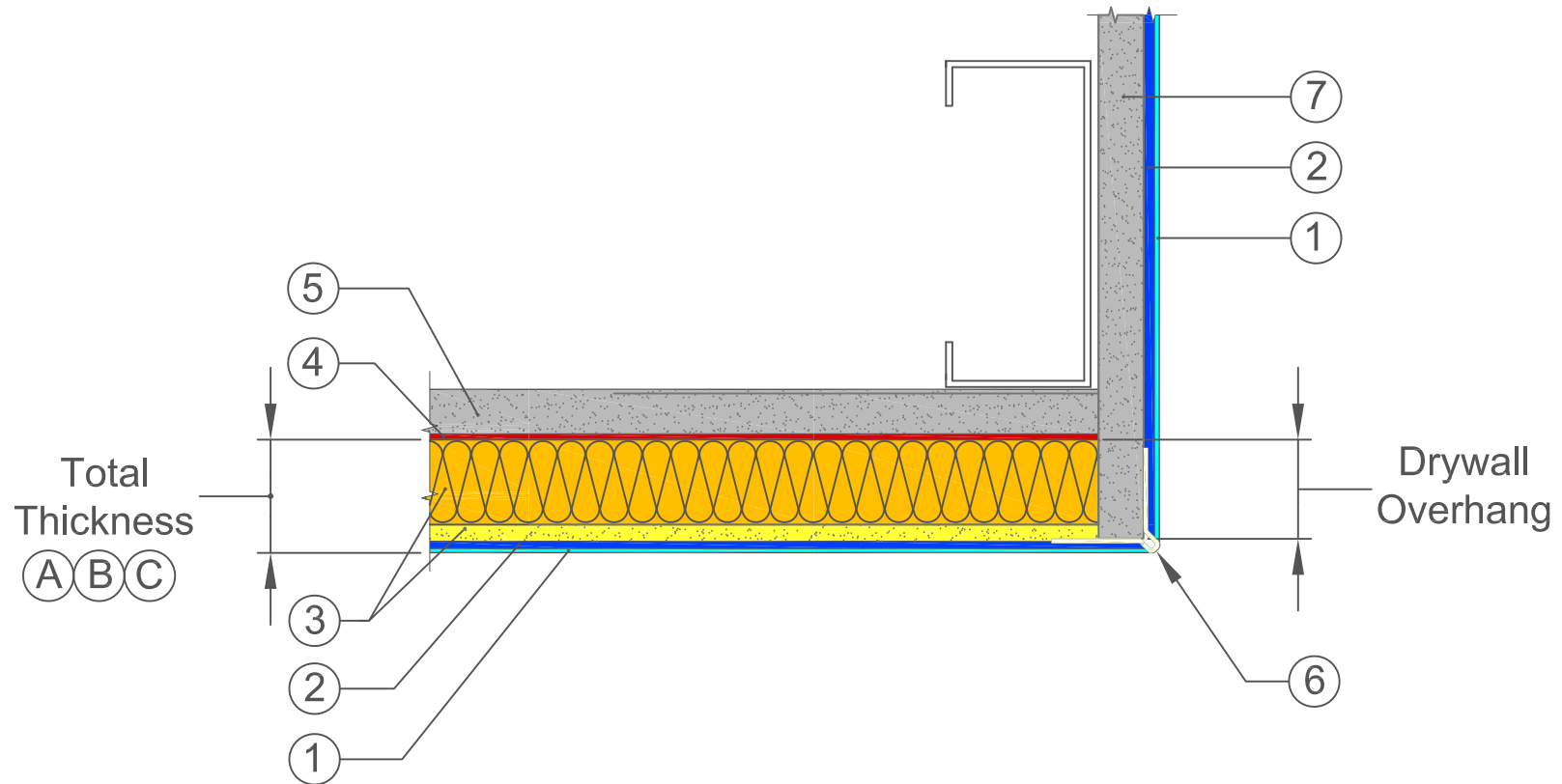


- 1 BASWAphon Base 407
- 2 BASWAphon Base 407
- 3 BASWAphon Pre-Coated Mineral Wool Panel
- 4 BASWAphon Adhesive
- 5 Stable Substrate
- 6 White Vinyl Trim

DIMENSIONS			
SYSTEM	(A)	(B)	(C)
TOTAL THICKNESS	1 3/16" (30MM)	1 9/16" (40MM)	2 3/4" (70MM)

BASWaphon - Resilient

OUTSIDE CORNER DETAIL

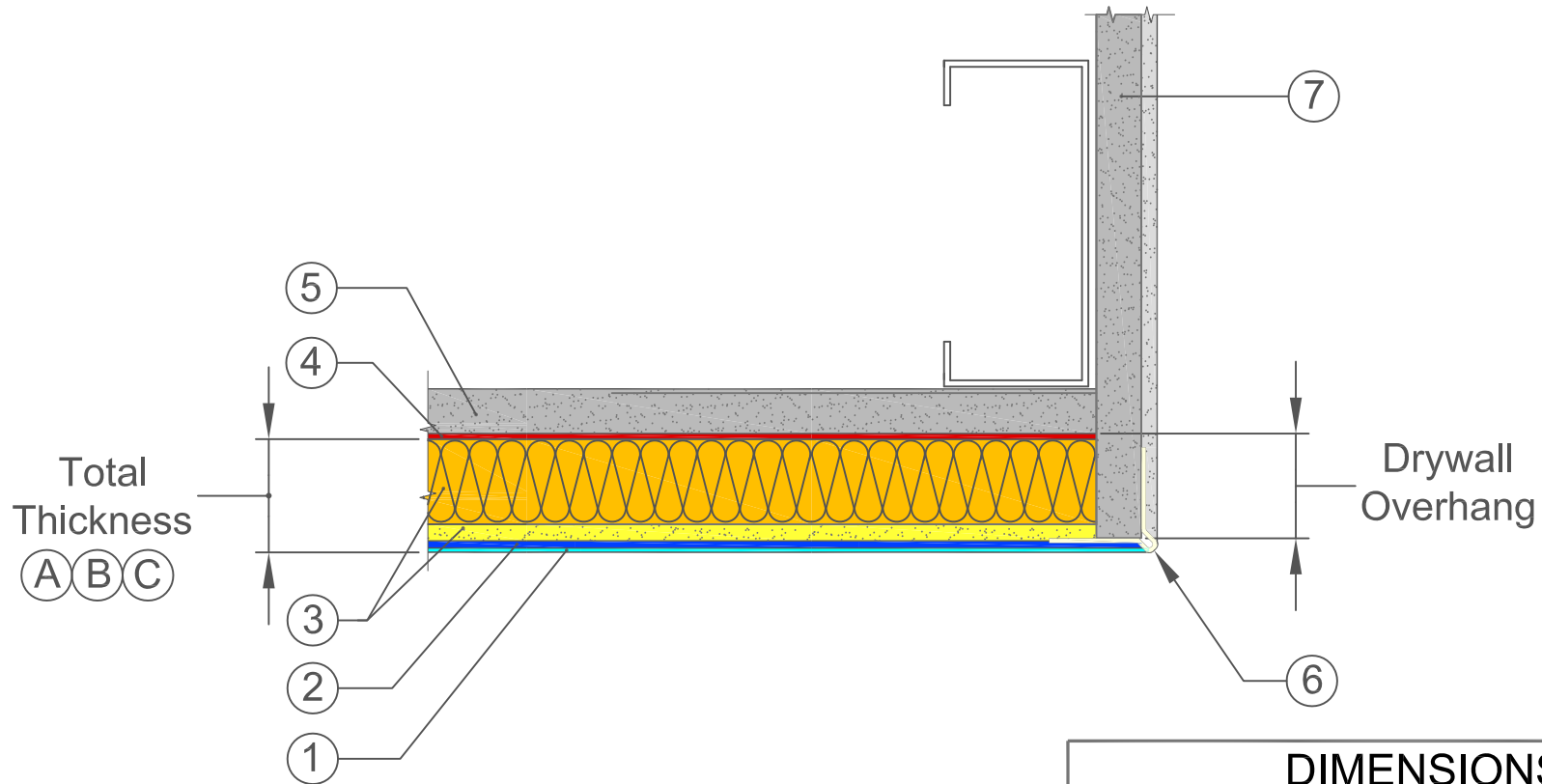


- 1 BASWaphon Base 407
- 2 BASWaphon Base 407
- 3 BASWaphon Pre-Coated Mineral Wool Panel
- 4 BASWaphon Adhesive
- 5 Stable Substrate
- 6 White Vinyl Trim
- 7 Finished Drywall

DIMENSIONS			
SYSTEM	(A)	(B)	(C)
TOTAL THICKNESS	1 3/16" (30MM)	1 9/16" (40MM)	2 3/4" (70MM)
DRYWALL OVERHANG BELOW FACE OF SUBSTRATE	1"	1 3/8"	2 9/16"

BASWAphon - Resilient

OUTSIDE CORNER DETAIL

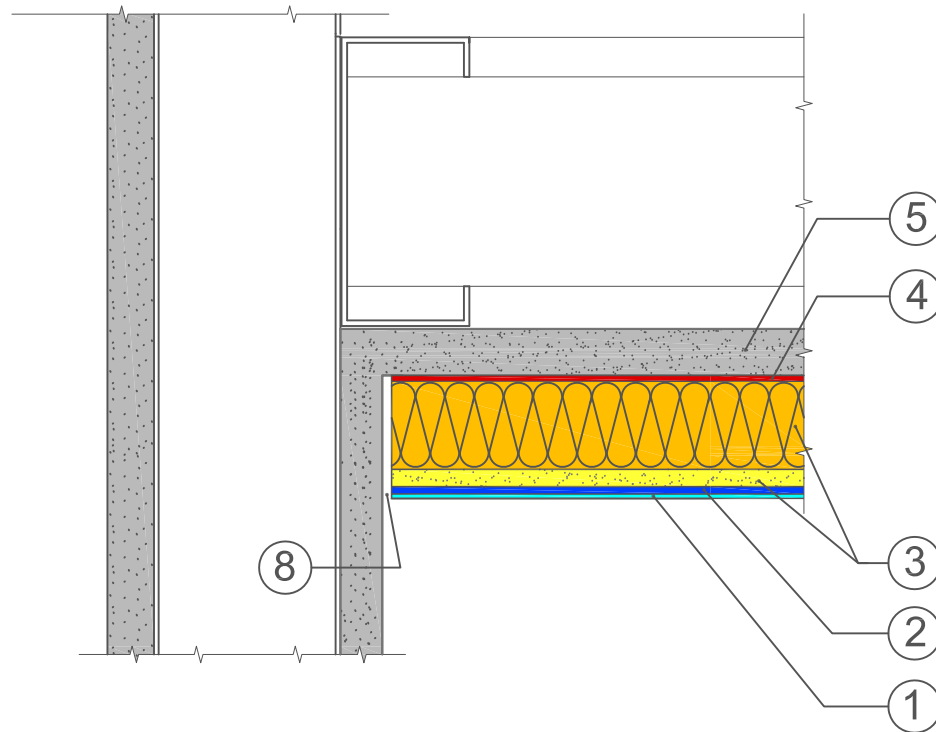


- 1 BASWAphon Base 407
- 2 BASWAphon Base 407
- 3 BASWAphon Pre-Coated Mineral Wool Panel
- 4 BASWAphon Adhesive
- 5 Stable Substrate
- 6 White Vinyl Trim
- 7 Finished Drywall

DIMENSIONS			
SYSTEM	(A)	(B)	(C)
TOTAL THICKNESS	1 3/16" (30MM)	1 9/16" (40MM)	2 3/4" (70MM)
DRYWALL OVERHANG BELOW FACE OF SUBSTRATE	1 "	1 3/8"	2 9/16"

BASWAphon - Resilient

CEILING / WALL TRANSITION DETAIL

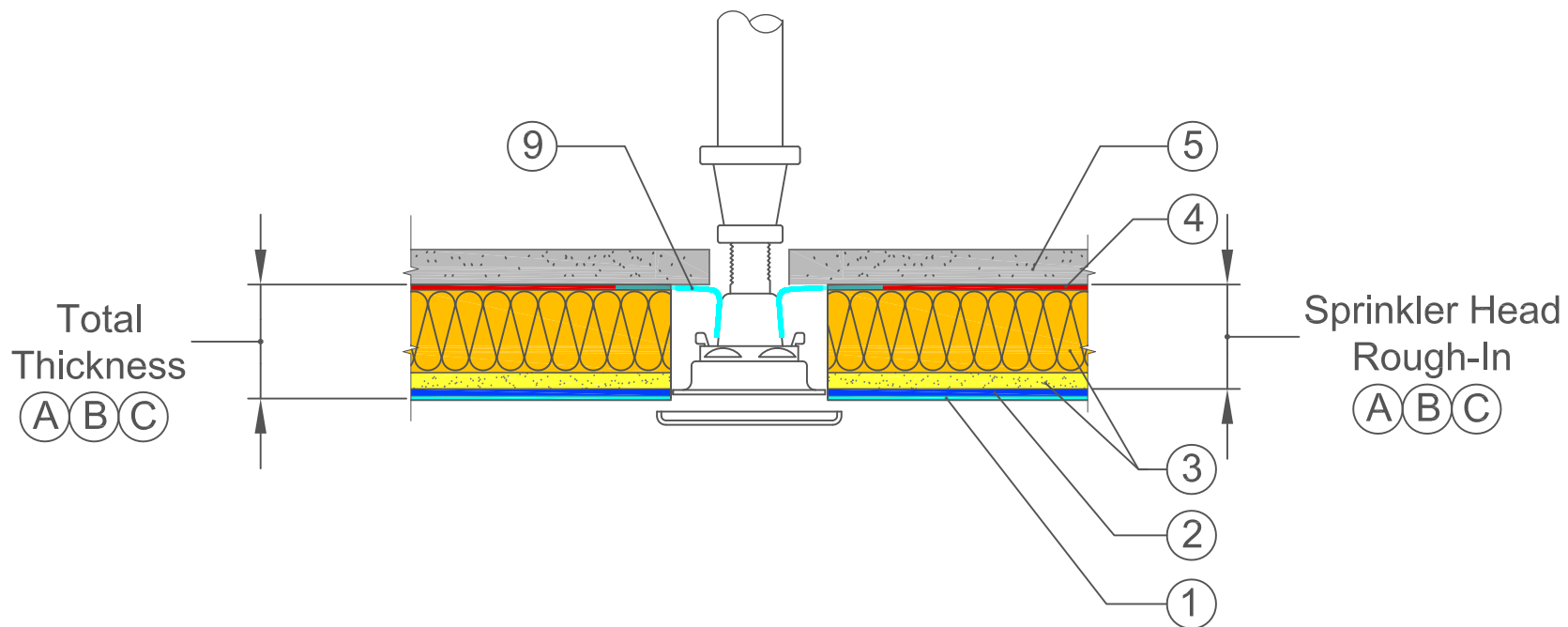


- 1 BASWAphon Base 407
- 2 BASWAphon Base 407
- 3 BASWAphon Pre-Coated Mineral Wool Panel
- 4 BASWAphon Adhesive
- 5 Stable Substrate
- 8 Swedish Cut (1/8")

DIMENSIONS			
SYSTEM	(A)	(B)	(C)
TOTAL THICKNESS	1 3/16" (30MM)	1 9/16" (40MM)	2 3/4" (70MM)

BASWaphon - Resilient

FIRE SPRINKLER HEAD DETAIL

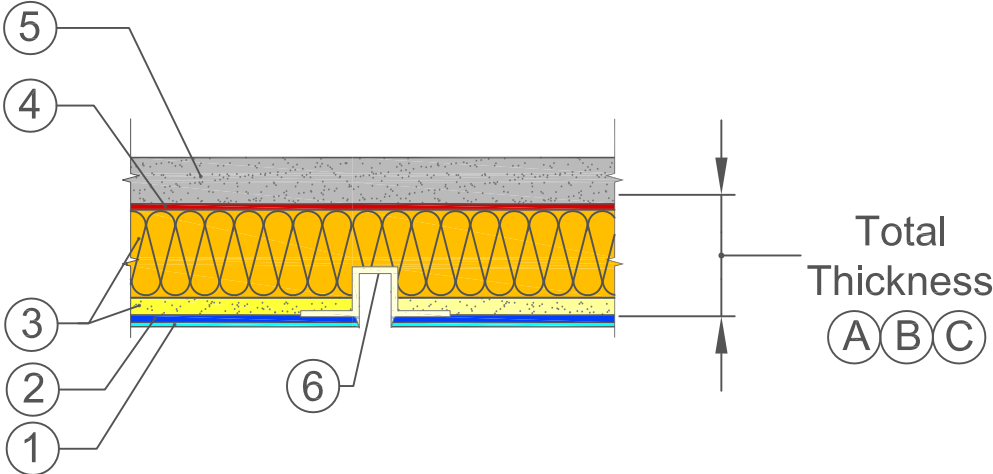


- 1 BASWaphon Base 407
- 2 BASWaphon Base 407
- 3 BASWaphon Pre-Coated Mineral Wool Panel
- 4 BASWaphon Adhesive
- 5 Stable Substrate
- 9 Fire Tape

DIMENSIONS			
SYSTEM	(A)	(B)	(C)
TOTAL THICKNESS	1 3/16" (30MM)	1 9/16" (40MM)	2 3/4" (70MM)
RECESSED SPRINKLER HEAD ROUGH IN BELOW FACE OF SUBSTRATE	1 "	1 3/8"	2 9/16"

BASWAphon - Resilient

REVEAL DETAIL

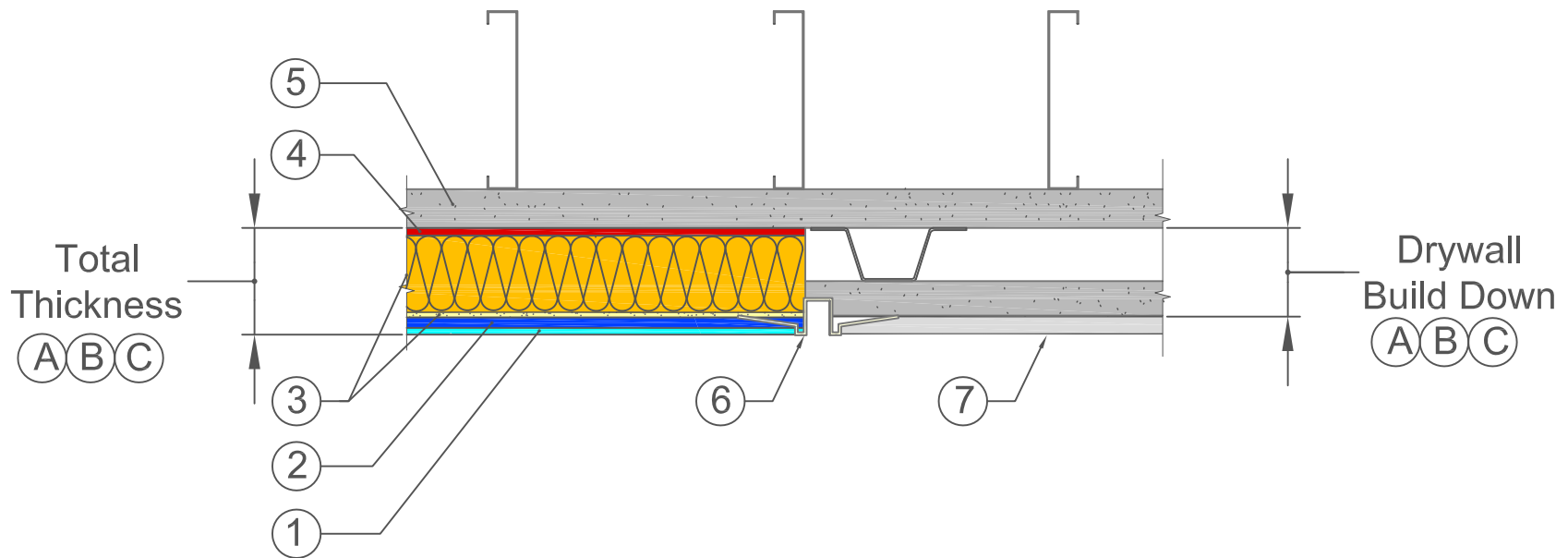


- 1 BASWAphon Base 407
- 2 BASWAphon Base 407
- 3 BASWAphon Pre-Coated Mineral Wool Panel
- 4 BASWAphon Adhesive
- 5 Stable Substrate
- 6 White Vinyl Trim

DIMENSIONS			
SYSTEM	(A)	(B)	(C)
TOTAL THICKNESS	1 3/16" (30MM)	1 9/16" (40MM)	2 3/4" (70MM)

BASWaphon - Resilient

DRYWALL TRANSITION DETAIL WITH REVEAL

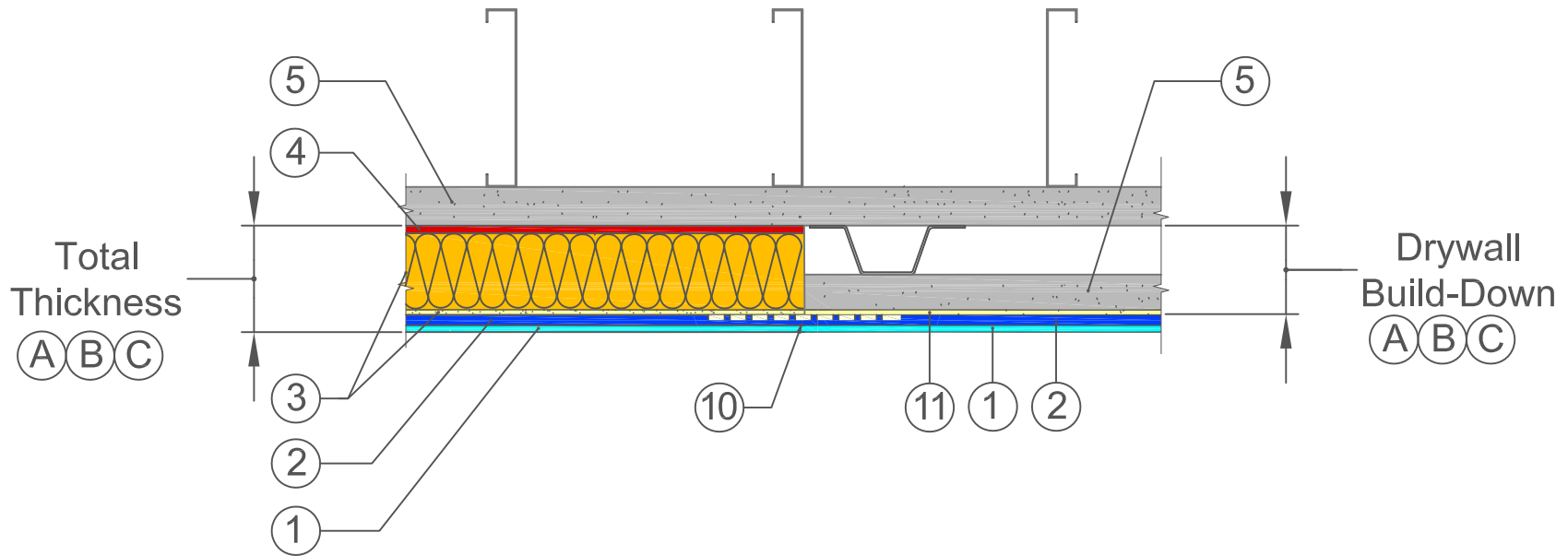


- 1 BASWaphon Base 407
- 2 BASWaphon Base 407
- 3 BASWaphon Pre-Coated Mineral Wool Panel
- 4 BASWaphon Adhesive
- 5 Stable Substrate
- 6 White Vinyl Trim
- 7 Finished Drywall

DIMENSIONS			
SYSTEM	(A)	(B)	(C)
TOTAL THICKNESS	1 3/16" (30MM)	1 9/16" (40MM)	2 3/4" (70MM)
DRYWALL BUILD DOWN BELOW FACE OF SUBSTRATE	1 "	1 3/8"	2 9/16"

BASWaphon - Resilient

DRYWALL TRANSITION DETAIL

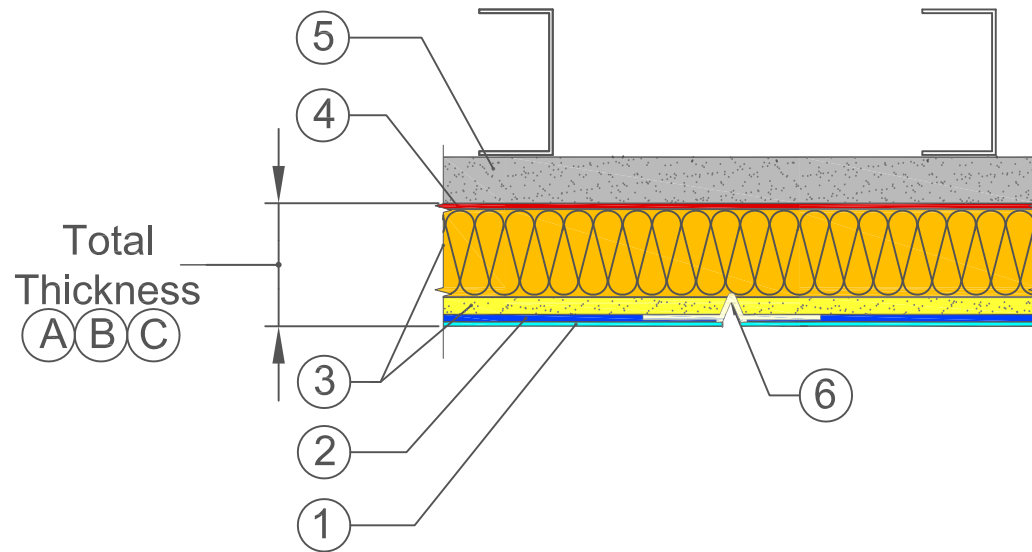


- 1 BASWaphon Base 407
- 2 BASWaphon Base 407
- 3 BASWaphon Pre-Coated Mineral Wool Panel
- 4 BASWaphon Adhesive
- 5 Stable Substrate
- 10 Fiberglass Mesh Tape
- 11 BASWaphon Fill

DIMENSIONS			
SYSTEM	(A)	(B)	(C)
TOTAL THICKNESS	1 3/16" (30MM)	1 9/16" (40MM)	2 3/4" (70MM)
DRYWALL BUILD DOWN BELOW FACE OF SUBSTRATE	7/8"	1 1/4"	2 7/16"

BASWAphon - Resilient

CONTROL JOINT DETAIL

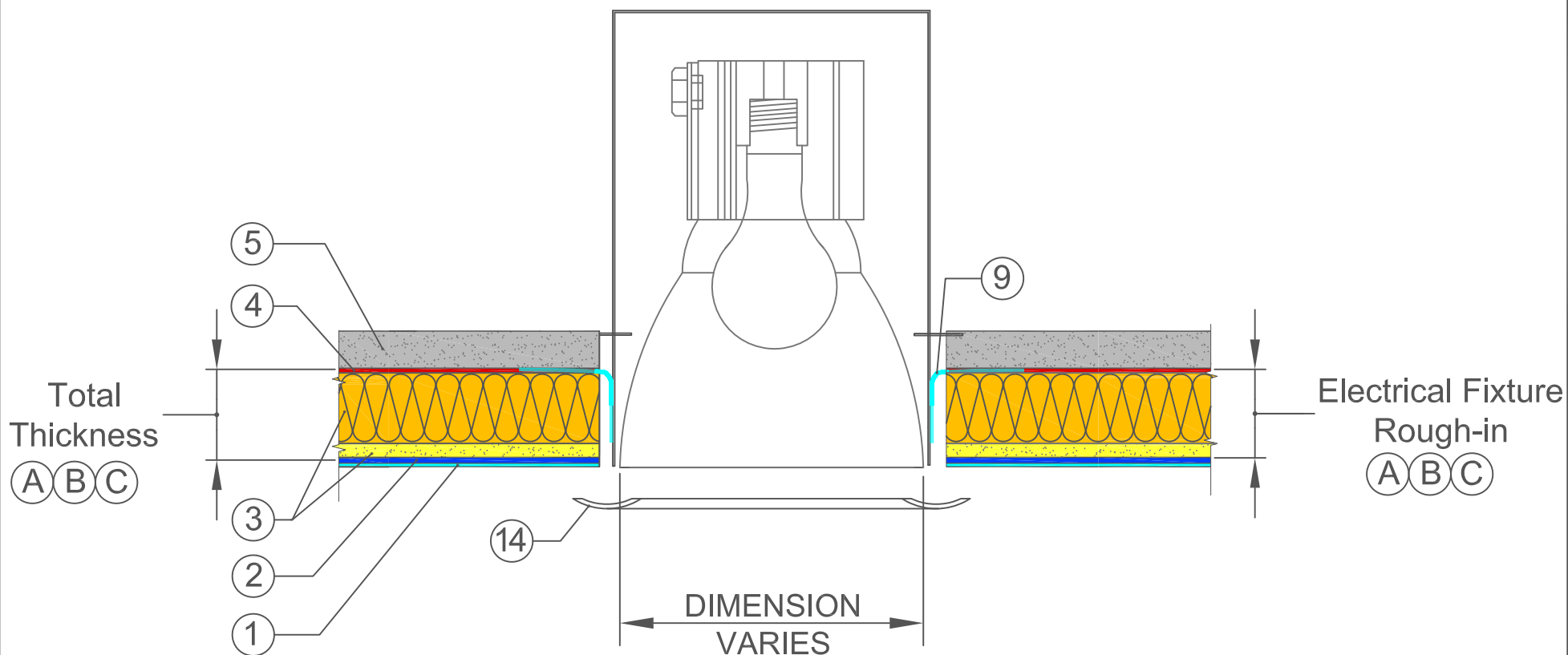


- 1 BASWAphon Base 407
- 2 BASWAphon Base 407
- 3 BASWAphon Pre-Coated Mineral Wool Panel
- 4 BASWAphon Adhesive
- 5 Stable Substrate
- 6 White Vinyl Trim

DIMENSIONS			
SYSTEM	(A)	(B)	(C)
TOTAL THICKNESS	1 3/16" (30MM)	1 9/16" (40MM)	2 3/4" (70MM)

BASWAphon - Resilient

RECESSED LIGHT FIXTURE DETAIL #1

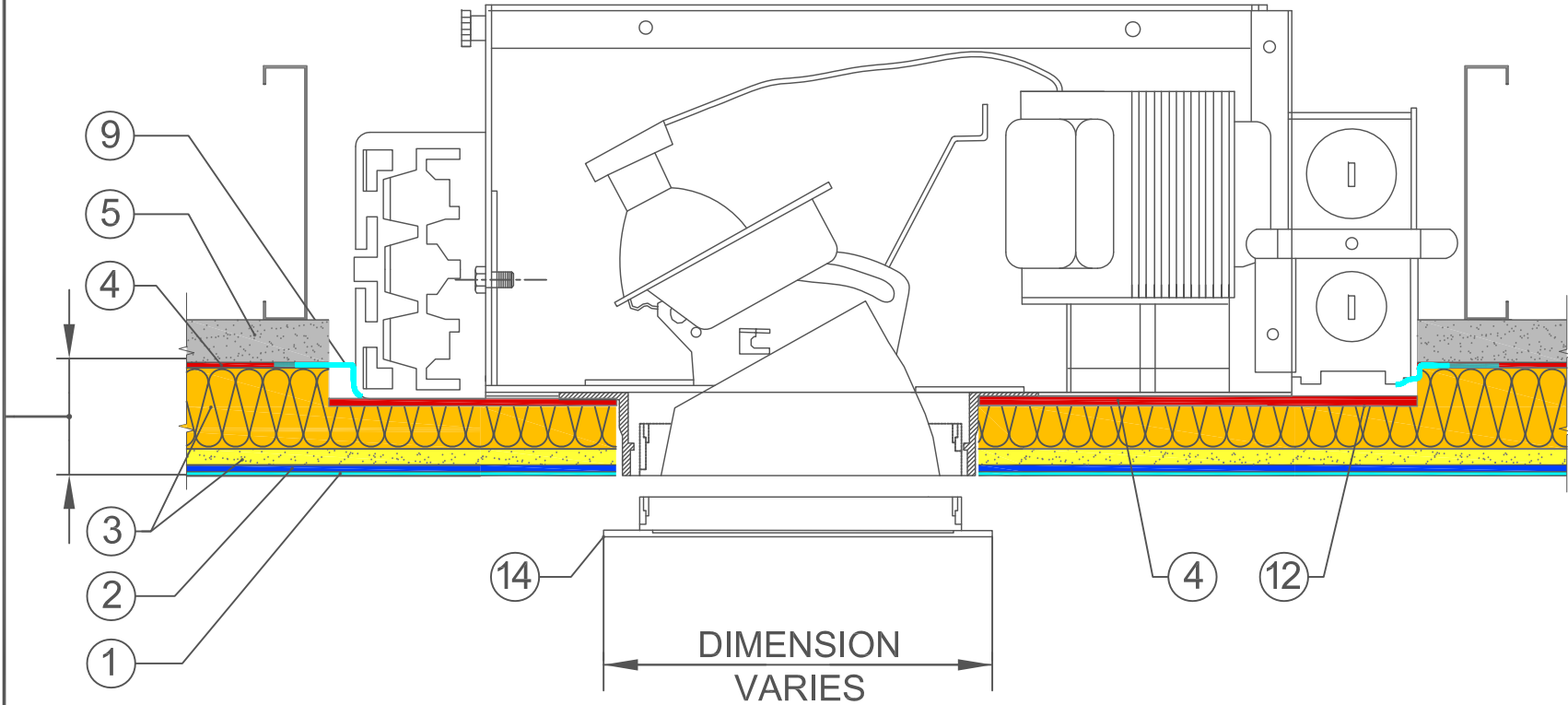


- 1 BASWAphon Base 407
- 2 BASWAphon Base 407
- 3 BASWAphon Pre-Coated Mineral Wool Panel
- 4 BASWAphon Adhesive
- 5 Stable Substrate
- 9 Fire Tape
- 14 Surface Mounted Trim Piece

DIMENSIONS			
SYSTEM	(A)	(B)	(C)
TOTAL THICKNESS	1 3/16" (30MM)	1 9/16" (40MM)	2 3/4" (70MM)
FIXTURE ROUGH IN BELOW FACE OF SUBSTRATE	1 "	1 3/8"	2 9/16"

BASWAphon - Resilient

RECESSED LIGHT FIXTURE DETAIL #2

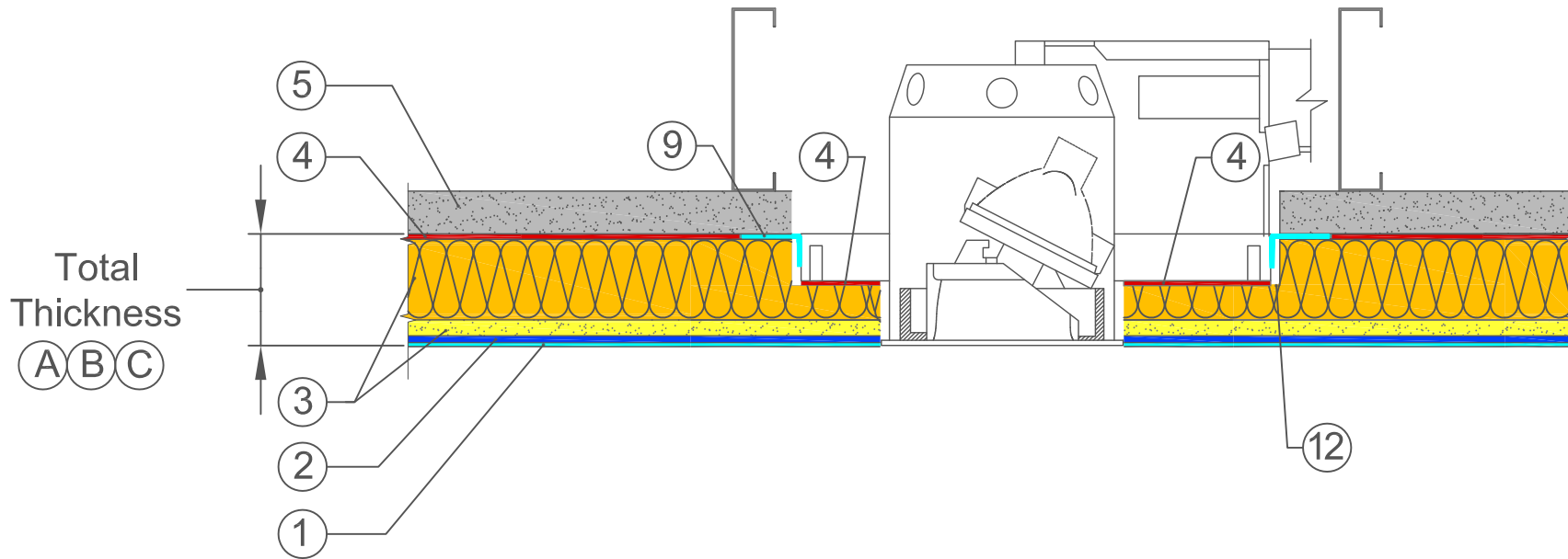


- 1 BASWAphon Base 407
- 2 BASWAphon Base 407
- 3 BASWAphon Pre-Coated Mineral Wool Panel
- 4 BASWAphon Adhesive
- 5 Stable Substrate
- 9 Fire Tape
- 12 Cut Out Back of Panel
- 14 Surface mounted Trim Piece

DIMENSIONS			
SYSTEM	(A)	(B)	(C)
TOTAL THICKNESS	1 3/16" (30MM)	1 9/16" (40MM)	2 3/4" (70MM)
FIXTURE ROUGH IN BELOW FACE OF SUBSTRATE	1 "	1 3/8"	2 9/16"

BASWAphon - Resilient

TRIMLESS RECESSED LIGHT FIXTURE DETAIL

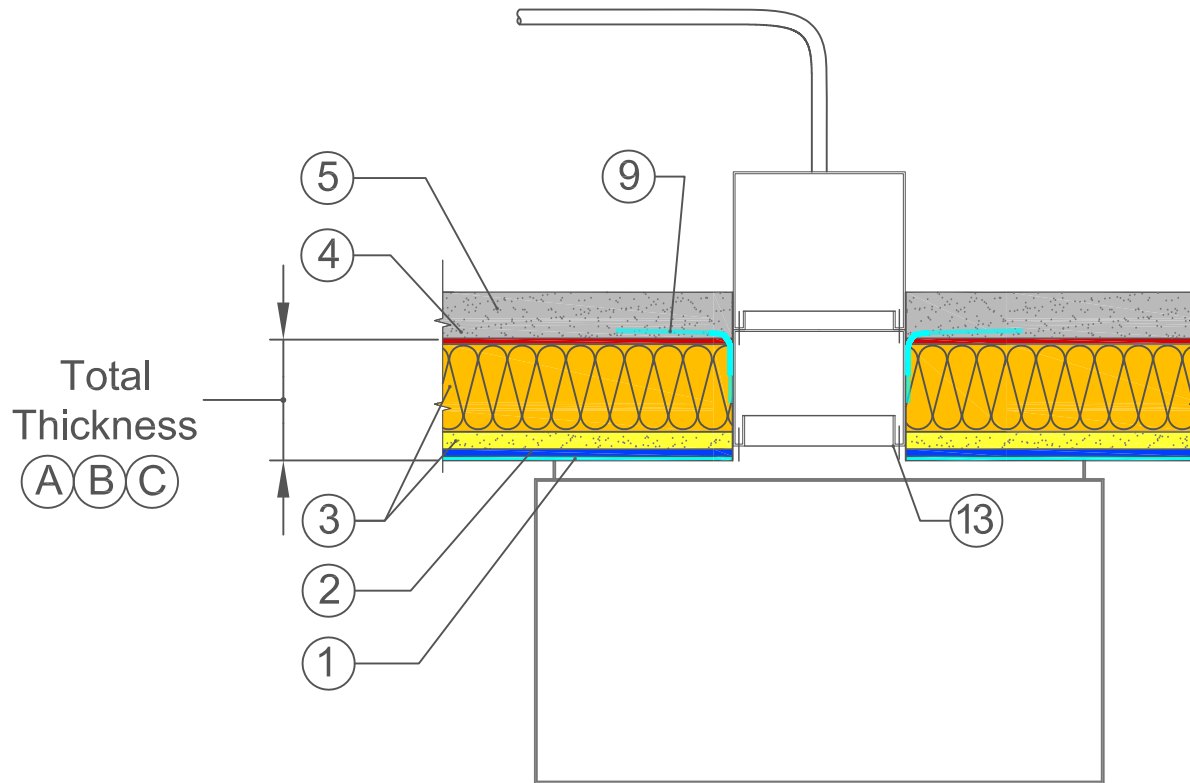


- 1 BASWAphon Base 407
- 2 BASWAphon Base 407
- 3 BASWAphon Pre-Coated Mineral Wool Panel
- 4 BASWAphon Adhesive
- 5 Stable Substrate
- 9 Fire Tape
- 12 Cut Out Back of Panel

DIMENSIONS			
SYSTEM	(A)	(B)	(C)
TOTAL THICKNESS	1 3/16" (30MM)	1 9/16" (40MM)	2 3/4" (70MM)
FIXTURE ROUGH IN BELOW FACE OF SUBSTRATE	1 3/16"	1 9/16"	2 3/4"

BASWAphon - Resilient

SURFACE MOUNTED ELECTRICAL FIXTURE DETAIL



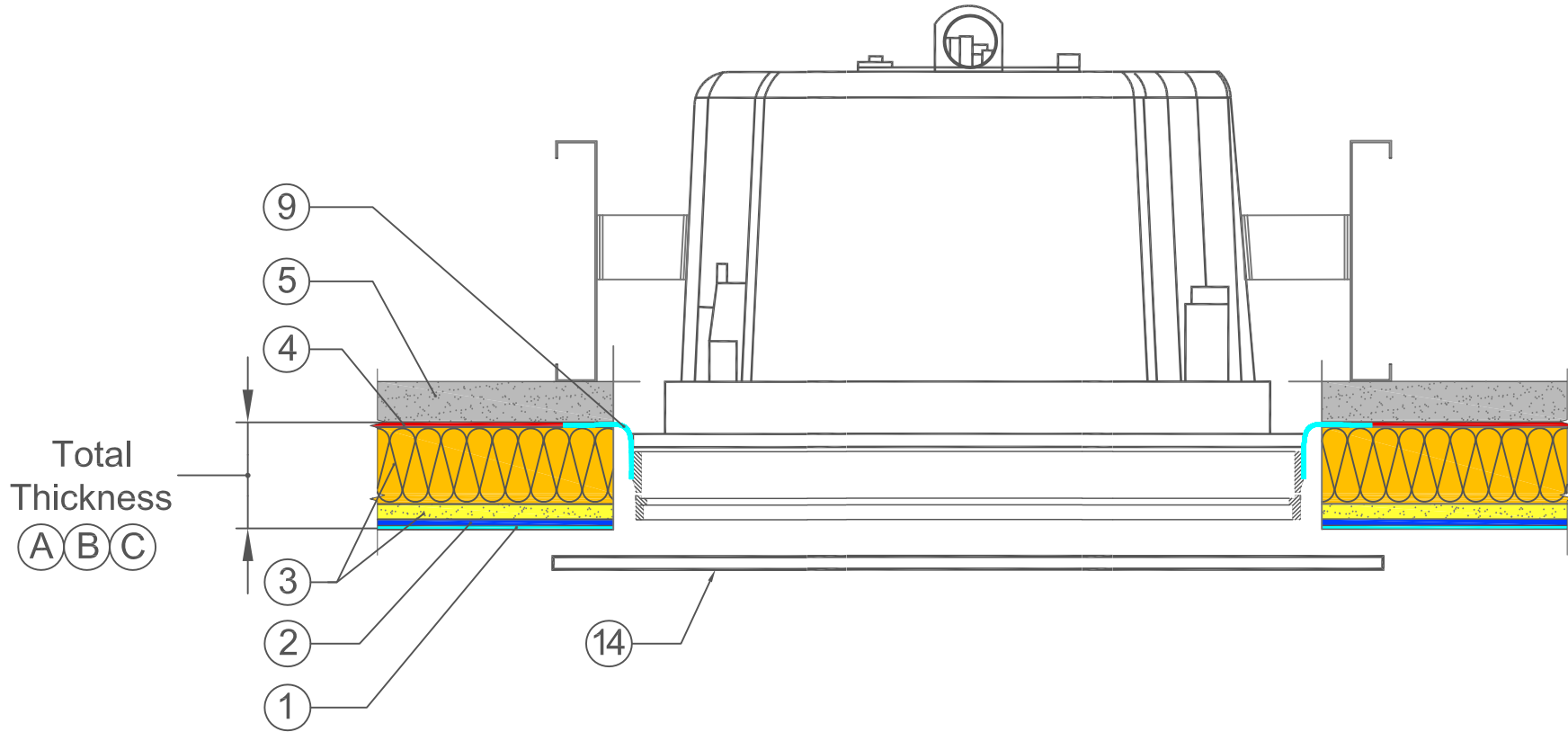
- 1 BASWAphon Base 407
- 2 BASWAphon Base 407
- 3 BASWAphon Pre-Coated Mineral Wool Panel
- 4 BASWAphon Adhesive
- 5 Stable Substrate
- 9 Fire Tape
- 13 Electrical Junction Box Extension

DIMENSIONS			
SYSTEM	(A)	(B)	(C)
TOTAL THICKNESS	1 3/16" (30MM)	1 9/16" (40MM)	2 3/4" (70MM)
ELECTRICAL JUNCTION BOX ROUGH IN BELOW FACE OF SUBSTRATE	1"	1 3/8"	2 9/16"

BASWaphon - Resilient

RECESSED SPEAKER

WITH SURFACE MOUNTED TRIM PIECE DETAIL



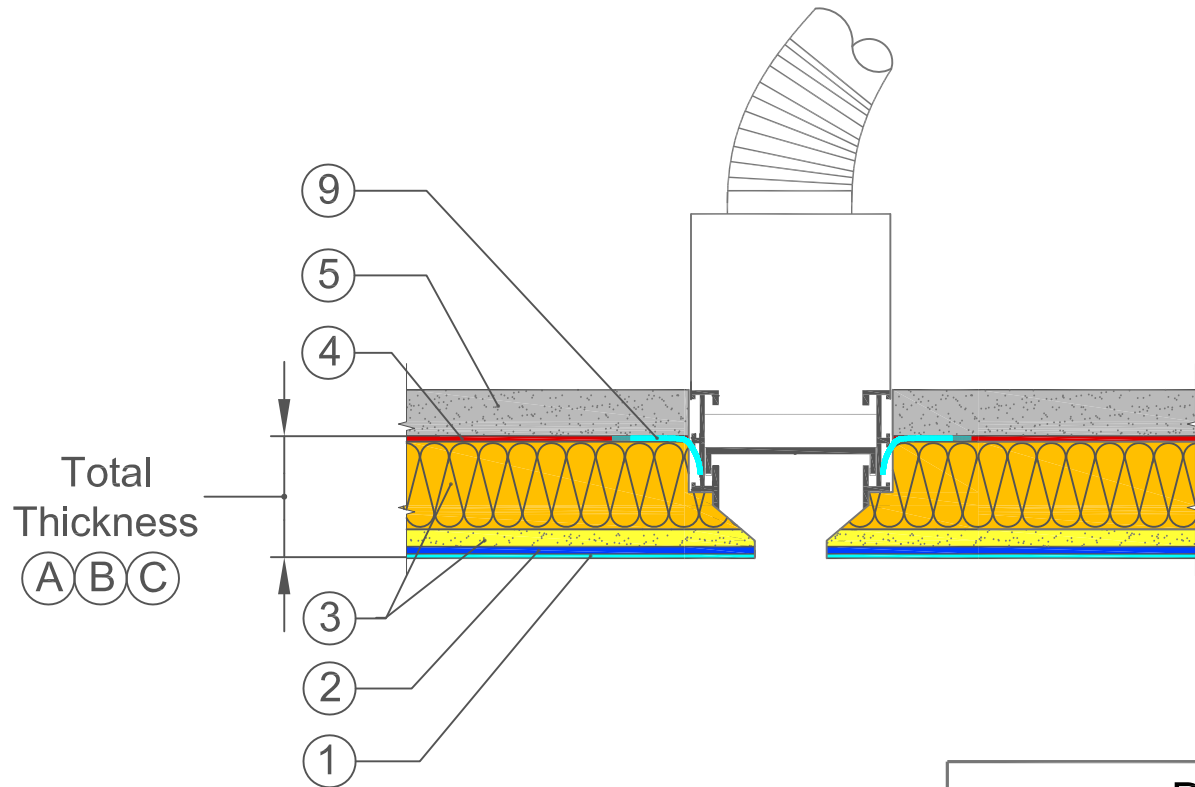
- 1 BASWaphon Base 407
- 2 BASWaphon Base 407
- 3 BASWaphon Pre-Coated Mineral Wool Panel
- 4 BASWaphon Adhesive
- 5 Stable Substrate
- 9 Fire Tape
- 14 Surface Mounted Trim Piece

DIMENSIONS

SYSTEM	(A)	(B)	(C)
TOTAL THICKNESS	1 3/16" (30MM)	1 9/16" (40MM)	2 3/4" (70MM)
SPEAKER ROUGH IN BELOW FACE OF SUBSTRATE	1 "	1 3/8"	2 9/16"

BASWaphon - Resilient

TRIMLESS LINEAR DIFFUSER DETAIL #1

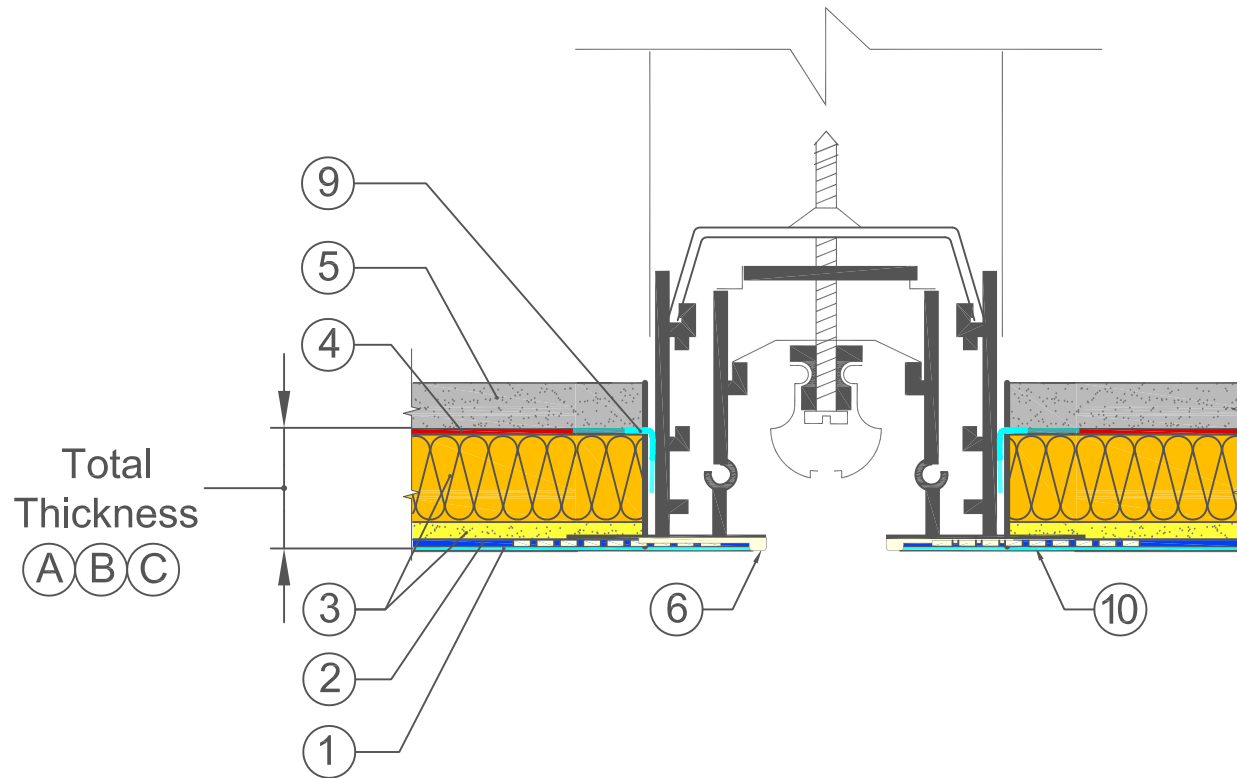


- 1 BASWaphon Base 407
- 2 BASWaphon Base 407
- 3 BASWaphon Pre-Coated Mineral Wool Panel
- 4 BASWaphon Adhesive
- 5 Stable Substrate
- 9 Fire Tape

DIMENSIONS			
SYSTEM	(A)	(B)	(C)
TOTAL THICKNESS	1 3/16" (30MM)	1 9/16" (40MM)	2 3/4" (70MM)
LINEAR DIFFUSER ROUGH IN BELOW FACE OF SUBSTRATE	1 3/16"	1 9/16"	2 3/4"

BASWAphon - Resilient

TRIMLESS LINEAR DIFFUSER DETAIL #2

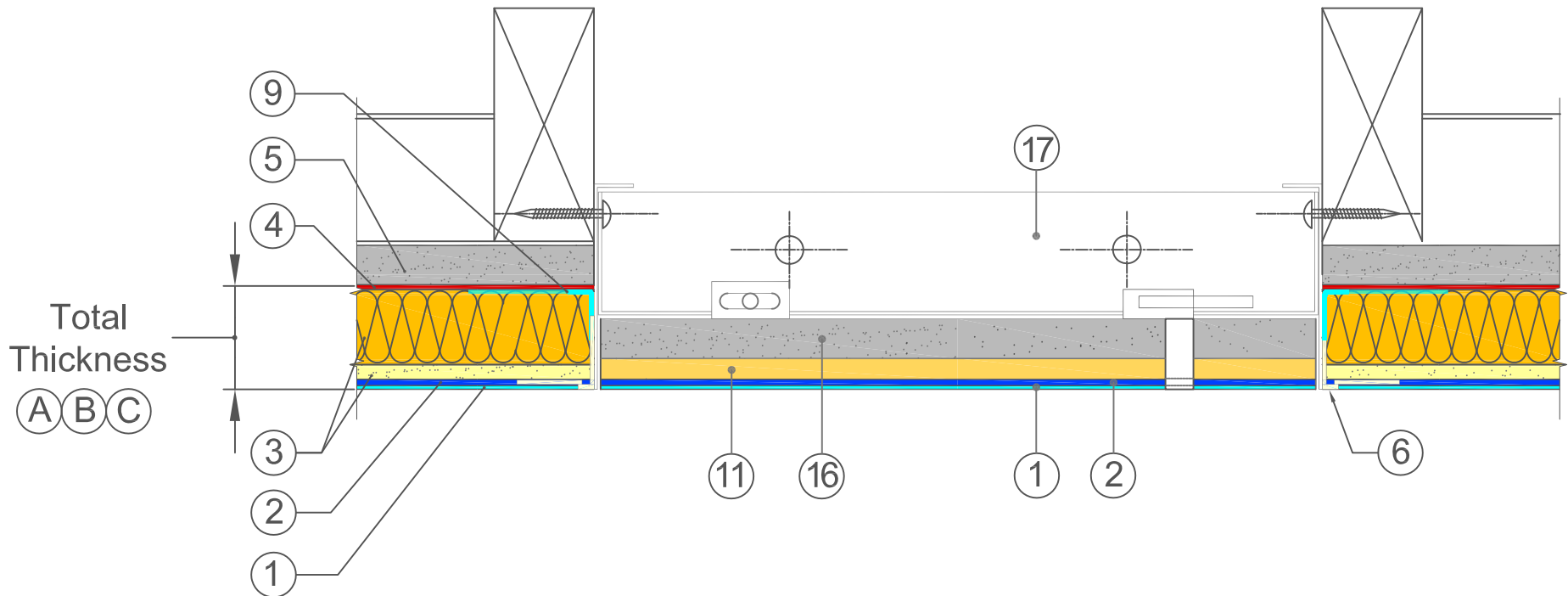


- 1 BASWAphon Base 407
- 2 BASWAphon Base 407
- 3 BASWAphon Pre-Coated Mineral Wool Panel
- 4 BASWAphon Adhesive
- 5 Stable Substrate
- 6 White Vinyl Trim
- 9 Fire Tape
- 10 Fiberglass Mesh Tape

DIMENSIONS			
SYSTEM	(A)	(B)	(C)
TOTAL THICKNESS	1 3/16" (30MM)	1 9/16" (40MM)	2 3/4" (70MM)
LINEAR DIFFUSER ROUGH IN BELOW FACE OF SUBSTRATE	1 "	1 7/16"	2 9/16"

BASWAphon - Resilient

ACCESS PANEL DETAIL

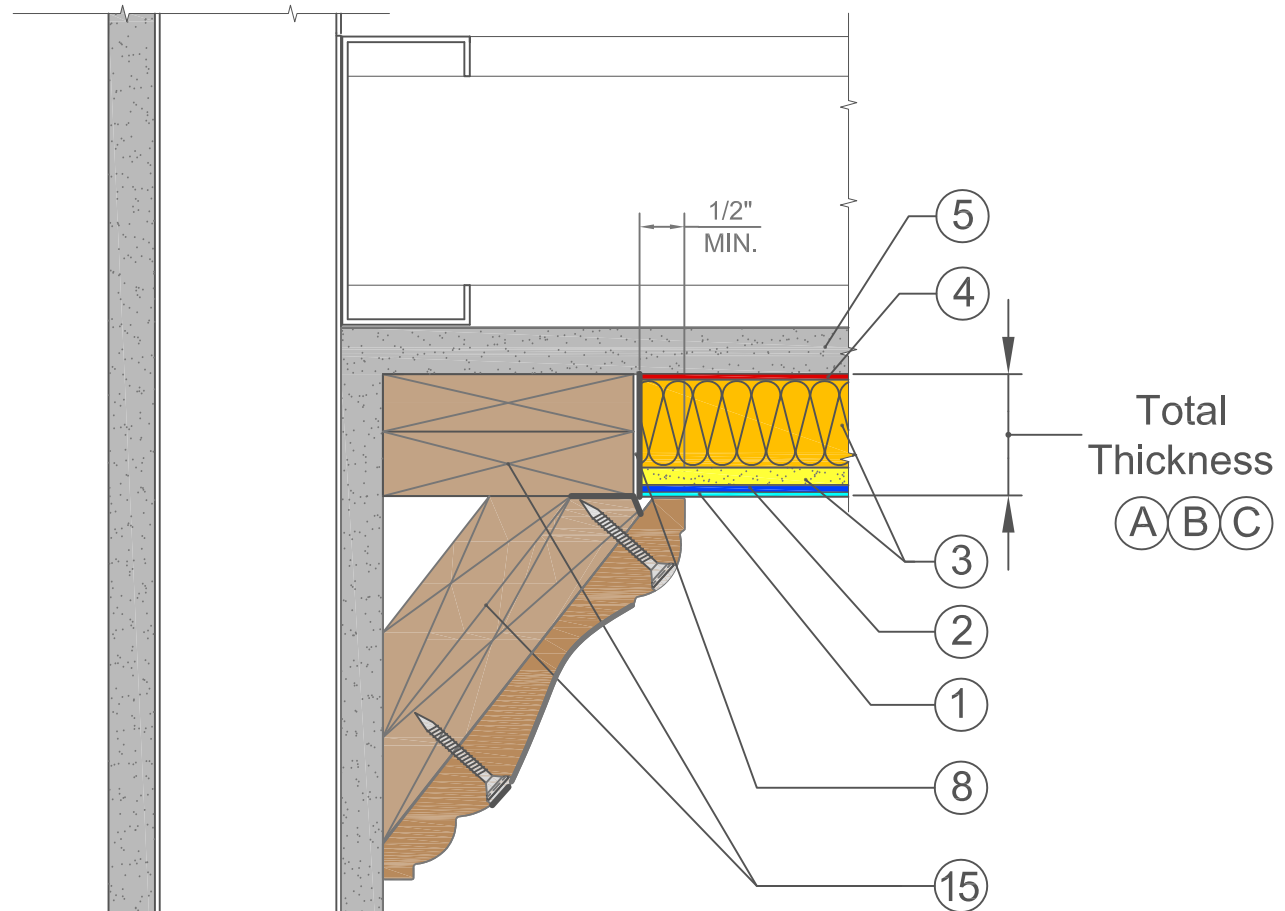


- 1 BASWAphon Base 407
- 2 BASWAphon Base 407
- 3 BASWAphon Pre-Coated Mineral Wool Panel
- 4 BASWAphon Adhesive
- 5 Stable Substrate
- 6 White Vinyl Trim
- 9 Fire Tape
- 11 BASWAphon Fill
- 16 5/8" Drywall
- 17 Access Door

DIMENSIONS			
SYSTEM	(A)	(B)	(C)
TOTAL THICKNESS	1 3/16" (30MM)	1 9/16" (40MM)	2 3/4" (70MM)
ACCESS PANEL ROUGH IN BELOW FACE OF SUBSTRATE	1 3/16"	1 9/16"	2 3/4"

BASWAphon - Resilient

CROWN MOLDING DETAIL

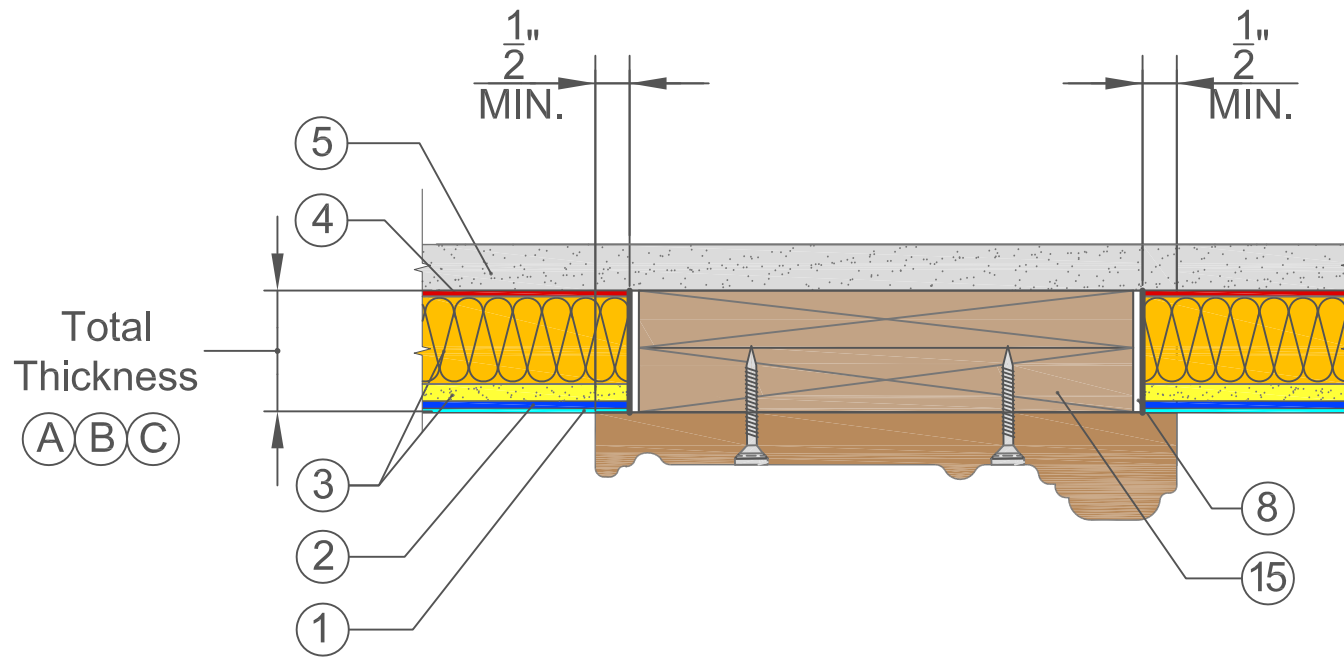


- 1 BASWAphon Base 407
- 2 BASWAphon Base 407
- 3 BASWAphon Pre-Coated Mineral Wool Panel
- 4 BASWAphon Adhesive
- 5 Stable Substrate
- 8 Swedish Cut (1/8")
- 15 Blocking

DIMENSIONS			
SYSTEM	(A)	(B)	(C)
TOTAL THICKNESS	1 3/16" (30MM)	1 9/16" (40MM)	2 3/4" (70MM)
BLOCKING THICKNESS	1"	1 3/8"	2 9/16"

BASWaphon - Resilient

APPLIED MOLDING DETAIL

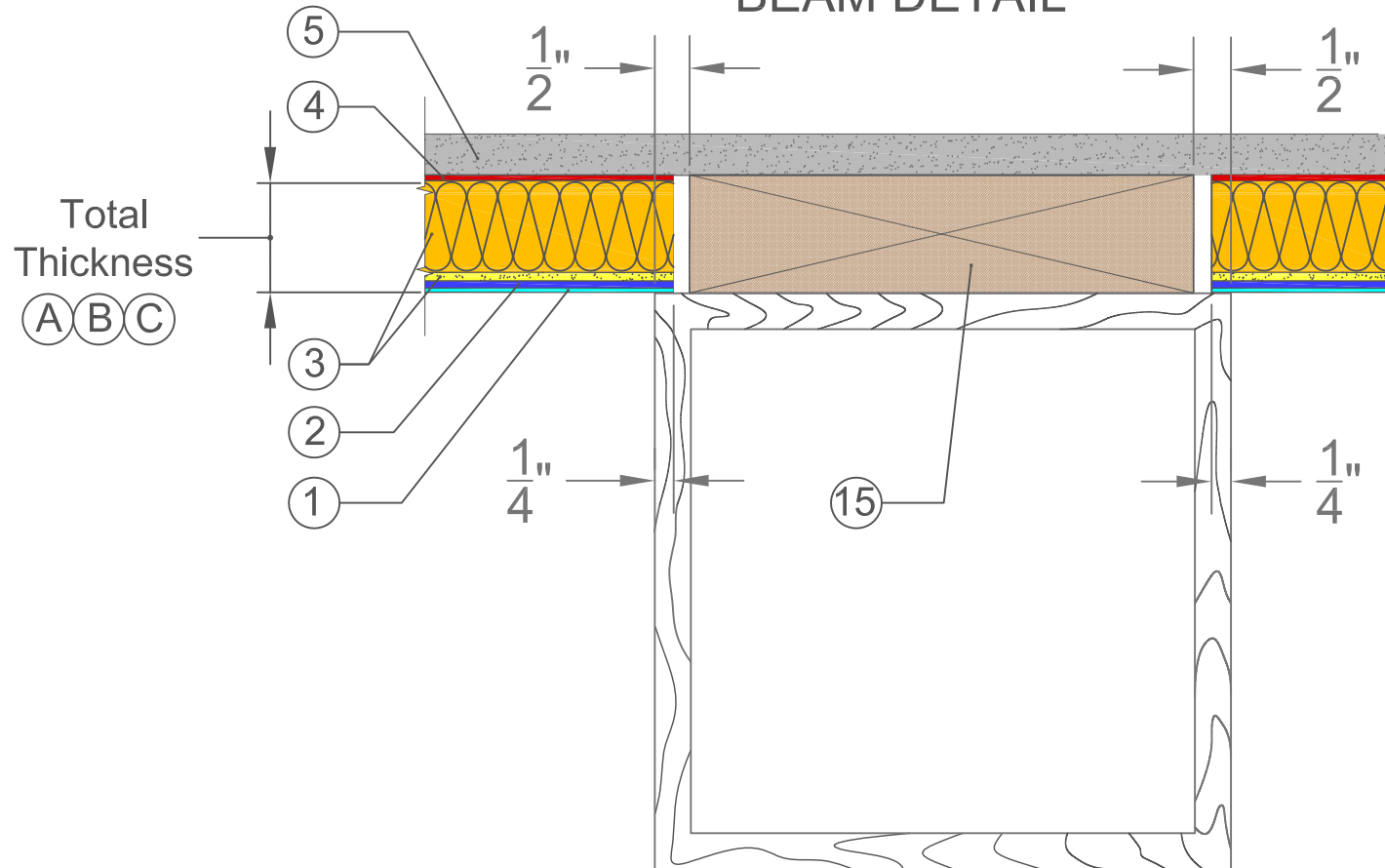


- 1 BASWaphon Base 407
- 2 BASWaphon Base 407
- 3 BASWaphon Pre-Coated Mineral Wool Panel
- 4 BASWaphon Adhesive
- 5 Stable Substrate
- 8 Swedish Cut (1/8")
- 15 Blocking

DIMENSIONS			
SYSTEM	(A)	(B)	(C)
TOTAL THICKNESS	1 3/16" (30MM)	1 9/16" (40MM)	2 3/4" (70MM)
BLOCKING THICKNESS	1 1/4"	1 5/8"	2 13/16"

BASWaphon - Resilient

BEAM DETAIL



- 1 BASWaphon Base 407
- 2 BASWaphon Base 407
- 3 BASWaphon Pre-Coated Mineral Wool Panel
- 4 BASWaphon Adhesive
- 5 Stable Substrate
- 15 Blocking

DIMENSIONS			
SYSTEM	(A)	(B)	(C)
TOTAL THICKNESS	1 1/8" (30MM)	1 5/8" (40MM)	2 3/4" (70MM)